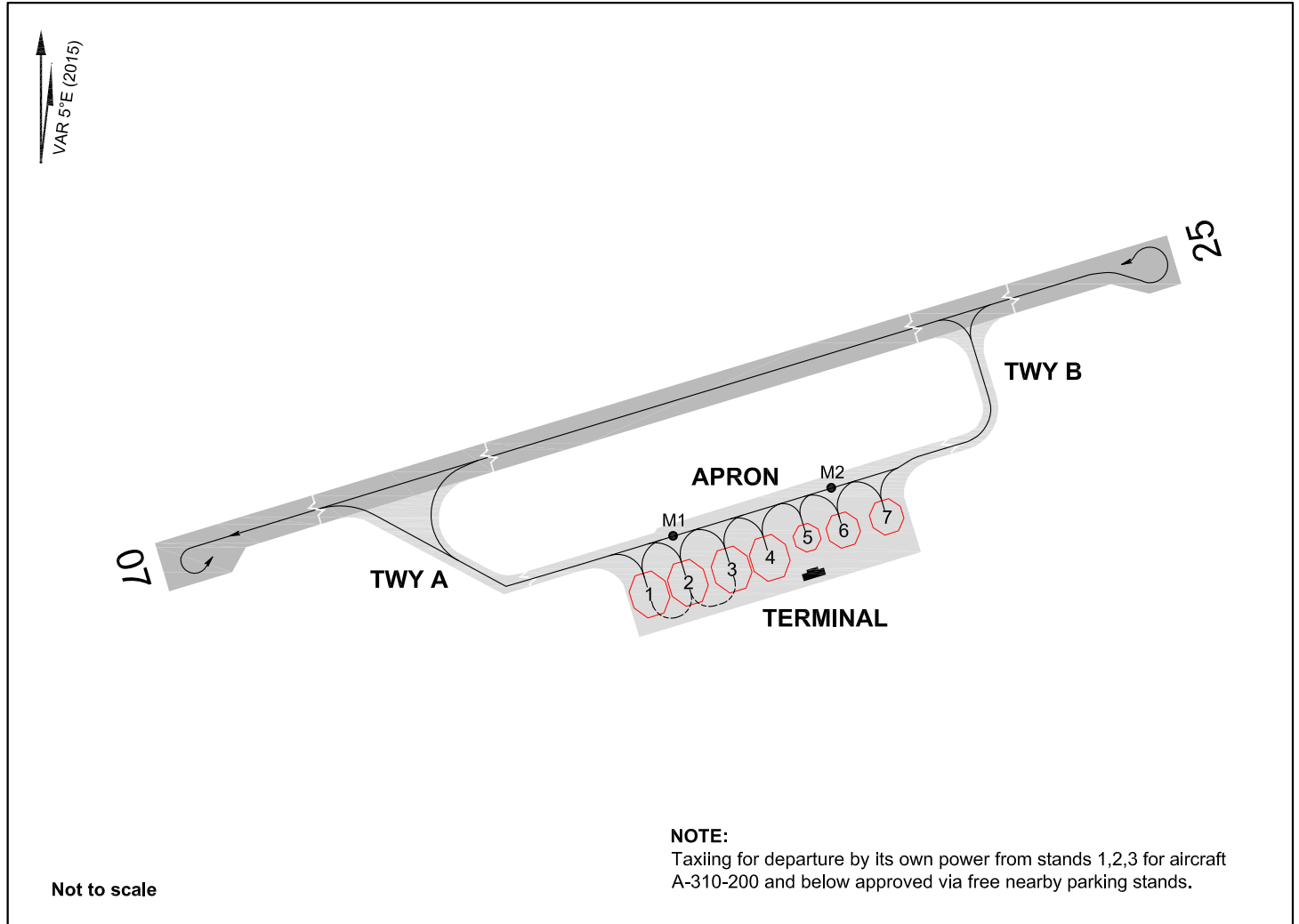


AERODROME GROUND MOVEMENT
 AND AIRCRAFT PARKING CHART - ICAO

TWR 118.7

KYRGYZSTAN
 ISSYK-KUL



APRON:

Surface: Concrete
 Strength: Stands: 1-2 - PCN 57/R/A/W/T
 3-7 - PCN 32/R/A/W/T

TAXIWAYS:

Width: A, B - 22.5m
 Surface: Concrete
 Strength TWY: A - PCN 46/R/A/W/T
 B - PCN 34/R/A/W/T

STANDS:

1-4 - B-767-200 and below.
 5 - Yak-42 and below.
 6-7 - A-310-200 and below.

Start-up points: M1, M2

COORDINATES FOR AIRCRAFT STANDS

STAND NR	LATITUDE	LONGITUDE
1	42°35'01.23"N	076°42'18.62"E
2	42°35'01.75"N	076°42'21.12"E
3	42°35'02.35"N	076°42'23.98"E
4	42°35'02.87"N	076°42'26.47"E
5	42°35'04.19"N	076°42'28.78"E
6	42°35'03.89"N	076°42'31.36"E
7	42°35'04.48"N	076°42'34.22"E

CHANGE: PCN